

MakerBot® Replicator® Z18 3D PRINTER QUICK START GUIDE



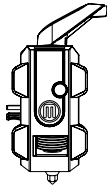
Go to [MakerBot.com/GetStarted](https://www.makerbot.com/getstarted)

- Download MakerBot Print to your computer.
- Download MakerBot Mobile to your Smart Phone.
- Download the Replicator Z18 User Manual and review safety information.
- If you're unable to go online, turn to the next page for offline setup.

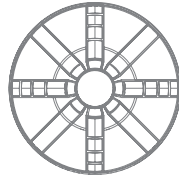


Make sure to read all safety information before operating your 3D printer.

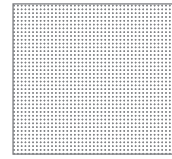
1 CHECK BOX CONTENTS



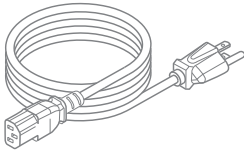
Smart Extruder+ for Replicator® Z18



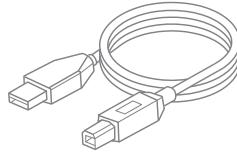
Large MakerBot® PLA Filament spool



Build plate tape



Power cord

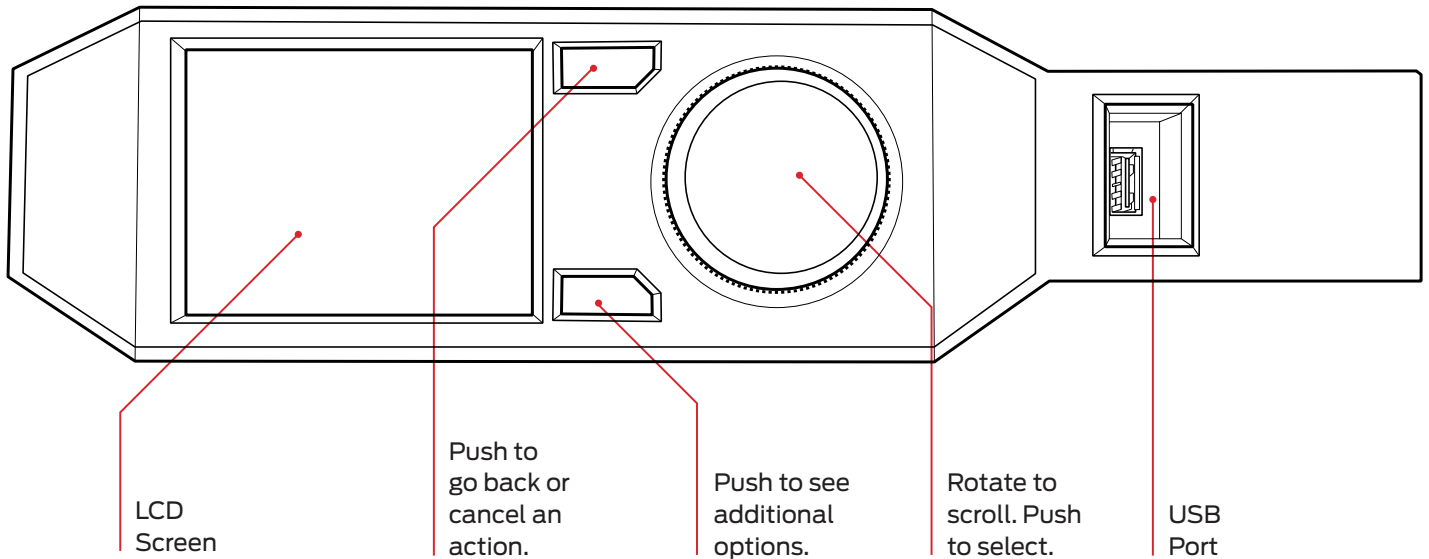


USB A-to-B cable



5 mm hex wrench

2 GET TO KNOW THE CONTROL PANEL

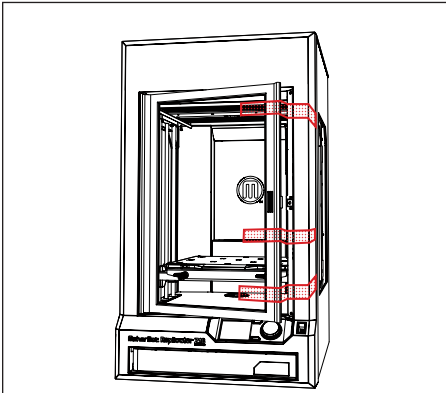


SUPPORT

Visit our Support page for troubleshooting guides and advanced information.

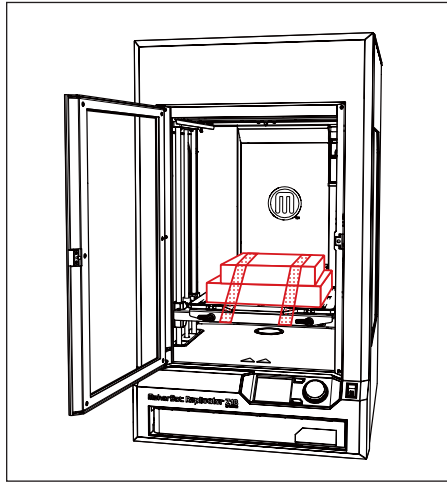
support.makerbot.com

1. Remove tape

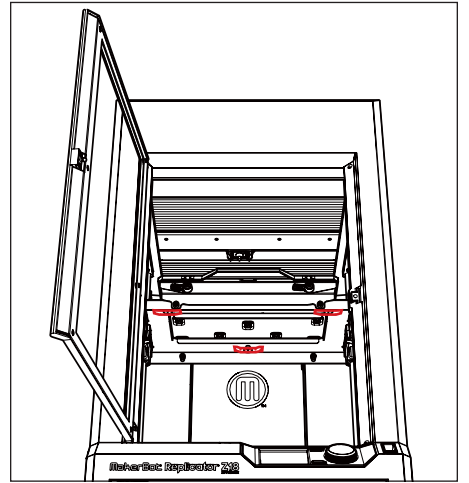


NOTE: Hold on to your box and packaging materials in case you need to transport your MakerBot Replicator Z18 in the future.

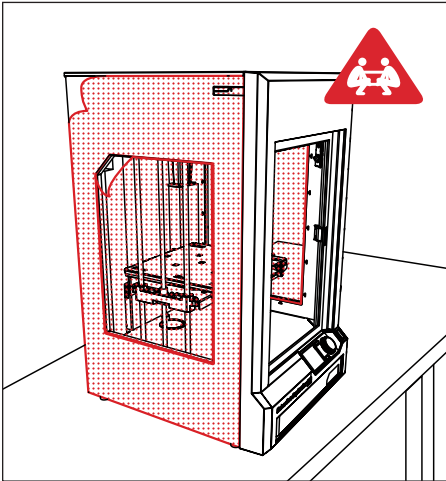
2. Remove filament and accessory box



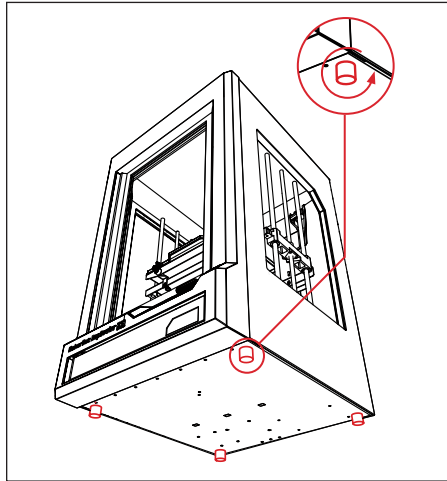
3. Remove tape from leveling knobs



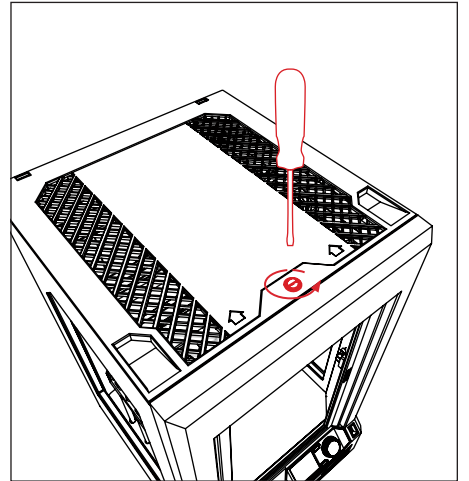
4. Place on a stable surface and remove the protective film



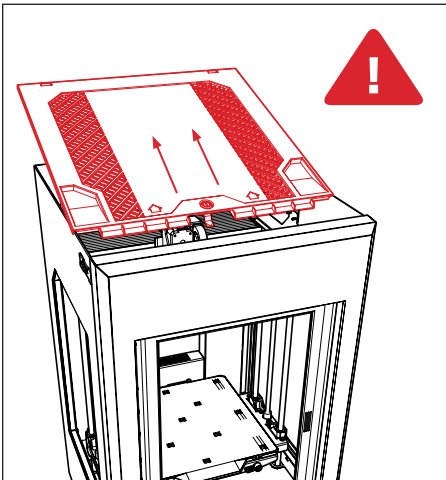
5. Adjust feet for stability



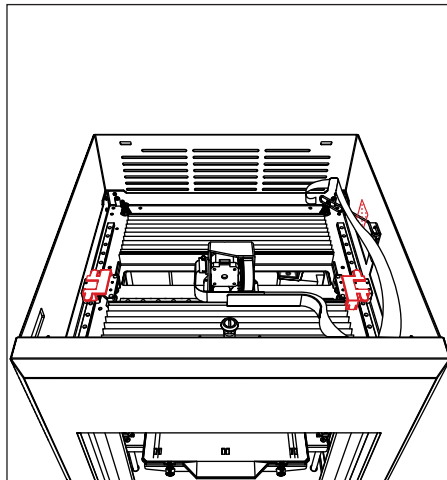
6. Unlock lid



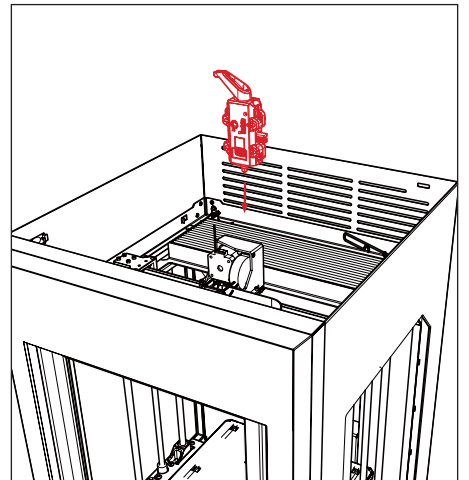
7. Remove lid




8. Remove clips and tape



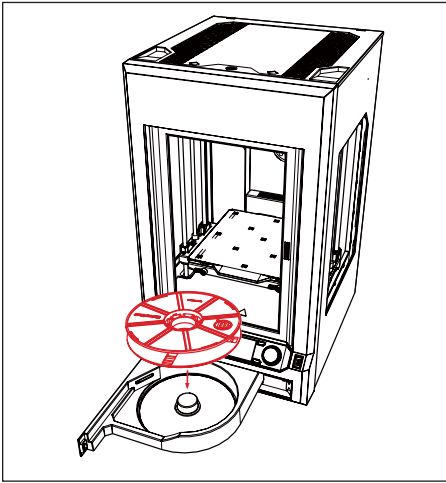
9. Install Smart Extruder+



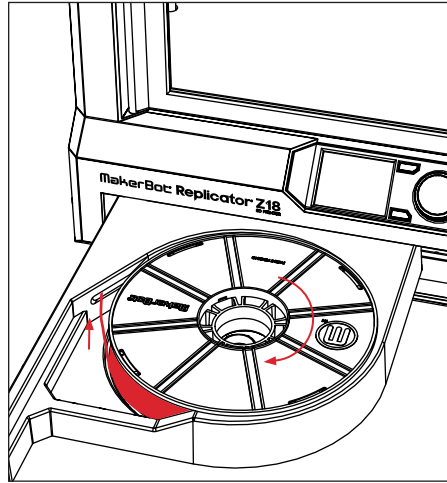
 Caution: Two people are required to lift the MakerBot Replicator Z18. Do not lift alone. To prevent injury, lift with your legs, not your back.

 Exercise caution when accessing the top compartment, and always keep it locked when your MakerBot Replicator Z18 is in use. It contains hot surfaces and moving parts.

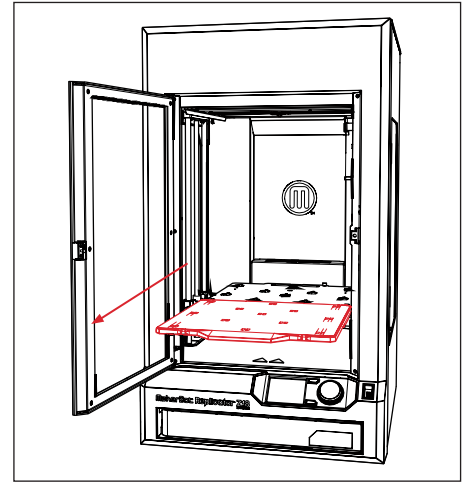
10. Load filament spool



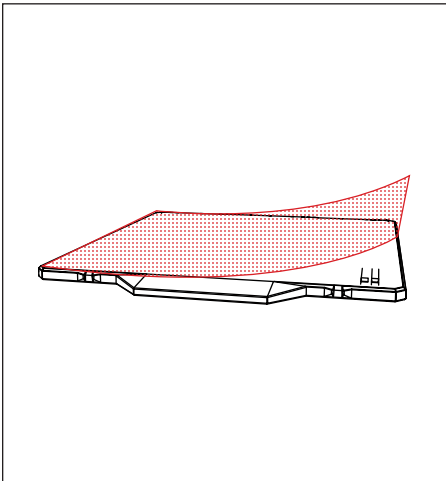
11. Feed filament by hand until it emerges in top compartment



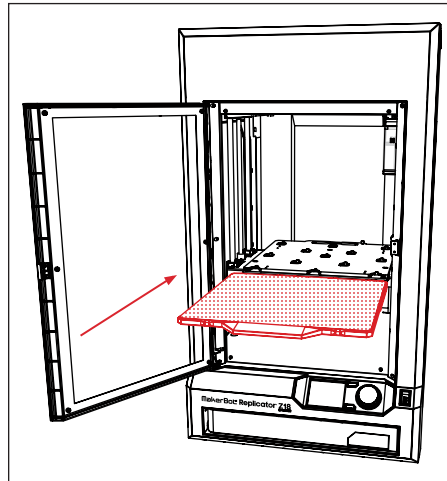
12. Rotate latches and remove build plate



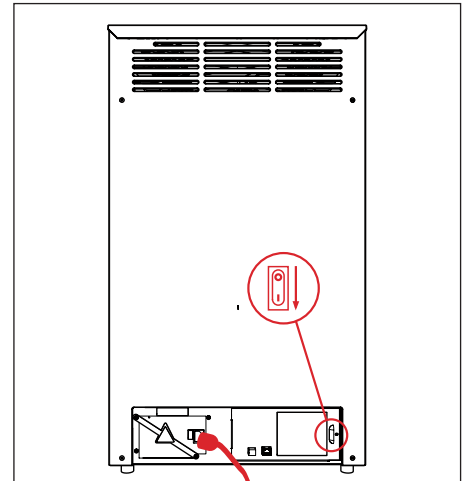
13. Apply tape to build plate



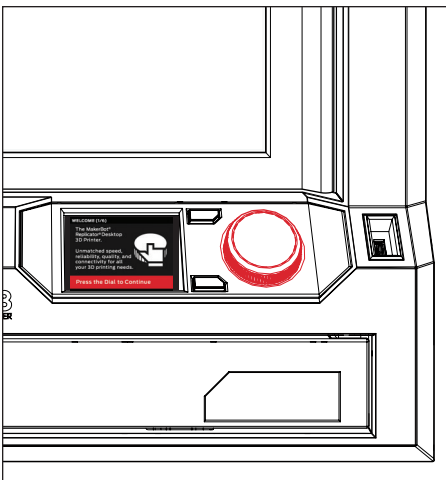
14. Replace build plate



15. Plug in and power on



16. Press dial and follow instructions



CONTINUE ON THE MAKERBOT APP
To continue setting up your MakerBot Replicator Z18,
install MakerBot on your desktop or mobile device.

MakerBot.com/GetStarted